

The Intelligent Instrument Delivery System

Efficient
Ergonomic
Multifaceted

Refraction Unit
CS-04_M



- ❖ HAIR-SPLITTING PRECISION.
- ❖ HEART-WINNING PERFORMANCE.
- ❖ THOUGHTFUL FEATURES.
- ❖ HYPER-EFFICIENT DESIGN.
- ❖ HIGHLY CONVENIENT FACILITIES.
- ❖ GREAT VALUE FOR MONEY.

S p a c i o u s . S t r o n g . S t a b l e . S e n s i b l e .


Plantech
MEDICAL SYSTEMS
PRIVATE LIMITED

ISO 9001 : 2008 CERTIFIED

The Intelligent Instrument Delivery System

Refraction Unit CS-04



Intelligent space management. Harmonious technology. Multifaceted functionality. Ergonomic design. The CS-04 Refraction Unit is an optimal combination of all these. It is engineered with superlative mechanics and smart electronics, offering the user high examination efficiency. Made of high-quality materials, it is primed for a long life and durable performance with minimum maintenance. CS-04 can accommodate a vast & diverse range of Testing, Diagnostic & Operative Instruments & Procedures.

UNIT BASE

Compact & Stable base platform for stability. Stable build for error-free performance. Tough & durable constitution.

CHAIR

Rotating recliner chair with high weight-lifting capability. Adjustable (up to 60 Degrees*) footrest. Comfortable Headrest & easy-on-the-skin, polyurethane seat. Easy up/down movement through foot switch.

BACK REST

Convenient backrest, with manually / Motorised controlled reclination.

ARM & TABLE-TOP

Table Top with sturdy arm support, plus translation & brake systems. Automatic rotation & translation breaking facility. Spacious, well-balanced sliding table top accommodating two instruments. Automatic slit lamp control / connection under the table. Touch-sensitive safety switch to stop unwanted movements of the chair. Strategically positioned overhead task light. Conveniently placed Retinoscope / Ophthalmoscope Tray.

CONTROL PANEL

Control panel with touchstone buttons, offering comprehensive control of the unit. Smooth motor movements, thanks to the DC Motor. Default connectivity for Indirect Ophthalmoscope, Near Vision Holder & Projector.

LENS TRAY

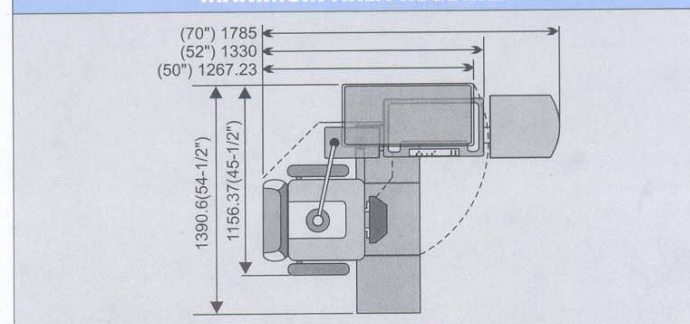
Trial Lens Rack with convenient in & out movements. Closed-in design for hygienic, dust-free usage.



TECHNICAL SPECIFICATIONS

Chair Elevation Stroke	200 mm
Seat Height	560 to 760 mm
Instrument Table Height	895 mm
Maximum Area Required	1460 x 1391 mm in erect position
Back-rest	With manual inclination / Motorised
Rotation	180o circular
Load lifting capacity	125 kgs
Auxiliary output	230v 50 Hz/4 connection
Voltage on table	Supply terminals on table
Power Supply	230 v 50/60Hz 5 Amp.
Gross Weight	240 Kgs.

MAXIMUM AREA REQUIRED



[Since Plantech continually upgrades its technology and know-how, Design & Specifications might undergo positive changes from time to time. The company reserves the right to do this.]



ISO 9001 : 2008 CERTIFIED

MANUFACTURED BY
Plantech
MEDICAL SYSTEMS
PRIVATE LIMITED

58, TIRUPATI IND. ESTATE,
NR. JAY BHARAT RANGSHALA COMP.,
B/H. AMBER CINEMA, SARASPUR,
AHMEDABAD - 380 024 (INDIA)
TEL. : (079) 2274 8813, 2274 9913
FAX : (079) 2276 0870
E-mail : info@plantechindia.com
Web : www.plantechindia.com